


**THE NETHERLANDS
(N E D E R L A N D)****COMMUNICATION**Concerning ⁽¹⁾:

- approval granted
- ~~approval extended~~
- ~~approval refused~~
- ~~approval withdrawn~~
- ~~production definitely discontinued~~

of a type of device pursuant to Regulation number 7.

Approval number: E4-7R-0224273**Extension number: 00**

1. Trade name or mark of the device : 
2. Manufacturer's name for the type of device : DF-TRS004
3. Manufacturer's name and address : Zhejiang Dahao Automotive Co., Ltd.
Xiaotian Village, Duqiao Town, Linhai City,
Taizhou City, Zhejiang Province, P.R. China
317000
4. If applicable, name and address of the manufacturer's representative : Not applicable
5. Submitted for approval on : 19 June 2015
6. Technical service responsible for conducting approval tests : TÜV SÜD Auto Service GmbH
Westendstraße 199
D-80686 München
7. Date of report issued by that service : 1 July 2015
8. Number of report issued by that service : 15-00440-CX-SHA-00



9. Concise description
- 9.1. By category of lamp : Rear position lamp R1 and stop lamp S1
- For mounting either outside or inside or both ⁽¹⁾ : Outside
- Colour of light emitted : red/~~white~~ ⁽¹⁾
- Number, category and kind of light source(s) : Rear position lamp: 9*LED;
Stop lamp: 6*LED
- Voltage and wattage : Rear position lamp: 12V/24V and 0.55W;
Stop lamp: 12V/24V and 1W
- Light source module specific identification code : Not applicable
- Only for limited mounting height of equal to or less than 750 mm above the ground : ~~yes~~/no ⁽¹⁾
- Geometrical conditions of installation and relating variations, if any : See manufacturer's information document
- Application of an electronic light source control gear/variable intensity control:
- (a) Being part of the lamp : ~~yes~~/no ⁽¹⁾
- (b) Being not part of the lamp : ~~yes~~/no ⁽¹⁾
- Input voltage(s) supplied by an electronic light source control gear/variable intensity control : Not applicable
- Electronic light source control gear/variable intensity control manufacturer and identification number (when the light source control gear is part of the lamp but is not included into the lamp body) : Not applicable
- Variable luminous intensity : ~~yes~~/no ⁽¹⁾
- 9.2. Function(s) produced by an interdependent lamp forming part of an interdependent lamp system:
- Front position lamp : ~~yes~~/no ⁽¹⁾
- R1 Rear position lamp : ~~yes~~/no ⁽¹⁾
- R2 Rear position lamp : ~~yes~~/no ⁽¹⁾
- S1 Stop lamp : ~~yes~~/no ⁽¹⁾
- S2 Stop lamp : ~~yes~~/no ⁽¹⁾
- S3 Stop lamp : ~~yes~~/no ⁽¹⁾
- S4 Stop lamp : ~~yes~~/no ⁽¹⁾
- End-outline marker lamp : ~~yes~~/no ⁽¹⁾
10. Position of the approval mark : On the lens



11. Reason(s) for extension (if applicable) : Not applicable
12. Approval : granted/~~extended/refused/withdrawn~~⁽¹⁾
13. Place : Zoetermeer
14. Date : 28-JUL-2015
15. Signature :


Uwe Löbig



16. The list of documents deposited with the Administrative Service which has granted approval, is annexed to this communication and may be obtained on request.
- Information document: DF-TRS004-00, 5 pages dated 19 June 2015

⁽¹⁾ Strike out what does not apply.



Technical Report No.: 15-00440-CX-SHA-00
Manufacturer: Zhejiang Dahao Automotive Co., Ltd.
Type: DF-TRS004

TECHNICAL REPORT

No.: 15-00440-CX-SHA-00

Test according to ECE regulation relating to

Rear position lamp and stop lamp


ECE Regulation No. 7

Supplement 23 to the 02 series of amendments

Approvals granted up to now		
ECE	Number of approval	Date
	---	---



I. Technical description

- 0.1. Make (trade name of manufacturer) : 
- 0.2. Type : DF-TRS004
- 0.2.1. Variants : N/A
- 0.3. Means of identification of type : By digits and letters
- 0.4. Location of the trade mark : On the lens
- 0.5. By category of lamp : Rear position lamp and stop lamp
- For mounting either outside or inside or both : Outside
- Color of light emitted : Red
- Number, category and kind of light source(s) : Rear position lamp: 9*LED;
Stop lamp: 6*LED
- Voltage and wattage : Rear position lamp: 12V/24V and 0.55W
Stop lamp: 12V/24V and 1W
- Light source module specific identification code : N/A
- Only for limited mounting height of equal to or less than 750 mm above the ground : No
- Geometrical conditions of installation and relating variations, if any : See manufacturer's information document
- Application of an electronic light source control gear/variable intensity control
Being part of the lamp : No
Being not part of the lamp : No
- Input voltage(s) supplied by an electronic light source control gear/variable intensity control : N/A

Technical Report No.: 15-00440-CX-SHA-00
Manufacturer: Zhejiang Dahao Automotive Co., Ltd.
Type: DF-TRS004

Page 3 / 9

Electronic light source control gear/
variable intensity control manufacturer
and identification number : N/A

Variable luminous intensity : No

0.6. Name and address of manufacturer : Zhejiang Dahao Automotive Co., Ltd.
Xiaotian Village, Duqiao Town, Linhai
City, Taizhou City, Zhejiang Province,
P.R. China 317000

0.8. Name and address of assembly plant : See 0.6.

0.9. Location of the approval mark : On the lens

0.10. If applicable, name and address of the
manufacturer's representative : N/A

II. Test record

1. Test conditions

1.1. Technical data of the test samples : Two samples are tested.
For information about the form of the
lamp, the position of the reference point
and the reference axis, see information
document.

1.2. Test procedures used : According to ECE Regulation No.: 7.02.

1.3. Measuring and test equipment : The above equipments on which the tests
were carried out fulfilled the requirements
of ECE Regulation No.: 7.02.

1.4. Standard bulb : N/A

Luminous flux : N/A

2. Test results

2.1. General Specifications

The devices have been designed and constructed that in normal conditions of use,
and notwithstanding the vibrations to which they may be subjected in such use, their
satisfactory operation remains assured and they retain the characteristics prescribed
by this regulation.

No light source module or light generator is used.

2.2. Intensity of light emitted

2.2.1. Rear position lamp, sample No. 1, test voltage 13.499V, at HV after 1 minute of operation.

No.	Point of the measurement		Limits [cd]		Measured values [cd]
			Minimum	Maximum	
1	H	V	4.00	17.00	8.94

2.2.1.1. Sample No. 1, test voltage 13.499V, after 30 minutes of operation.

No.	Point of the measurement		Limits [cd]		Measured values [cd]	
			Minimum	Maximum		
1	5L	10U	0.80	17.00	6.14	
2	5R	10U	0.80	17.00	6.16	
3	20R	5U	0.40	17.00	5.92	
4	10R	5U	0.80	17.00	6.12	
5	H	5U	2.80	17.00	6.22	
6	10L	5U	0.80	17.00	6.16	
7	20L	5U	0.40	17.00	5.98	
8	10L	V	1.40	17.00	6.16	
9	5L	V	3.60	17.00	7.28	
10	H	V	4.00	17.00	8.24	
11	5R	V	3.60	17.00	7.21	
12	10R	V	1.40	17.00	6.14	
13	20R	5D	0.40	17.00	5.94	
14	10R	5D	0.80	17.00	6.15	
15	H	5D	2.80	17.00	6.27	
16	10L	5D	0.80	17.00	6.18	
17	20L	5D	0.40	17.00	5.99	
18	5L	10D	0.80	17.00	6.16	
19	5R	10D	0.80	17.00	6.16	
20	All directions defined by Annex 1		0.05	17.00	Min. 0.48	Max. 8.82

2.2.1.2. Sample No. 1, intensity of light emitted (LED) after 1 minute -by calculation

The luminous intensity distribution after 1 minute of operation complies with the minimum and maximum requirements.

2.2.2. Rear position lamp, sample No. 2, test voltage 27.999V, at HV after 1 minute of operation.

No.	Point of the measurement		Limits [cd]		Measured values [cd]
			Minimum	Maximum	
1	H	V	4.00	17.00	8.50

2.2.2.1. Sample No. 2, test voltage 27.999V, after 30 minutes of operation.

No.	Point of the measurement		Limits [cd]		Measured values [cd]	
			Minimum	Maximum		
1	5L	10U	0.80	17.00	7.66	
2	5R	10U	0.80	17.00	7.75	
3	20R	5U	0.40	17.00	7.22	
4	10R	5U	0.80	17.00	7.94	
5	H	5U	2.80	17.00	7.88	
6	10L	5U	0.80	17.00	7.56	
7	20L	5U	0.40	17.00	6.73	
8	10L	V	1.40	17.00	7.60	
9	5L	V	3.60	17.00	7.85	
10	H	V	4.00	17.00	7.95	
11	5R	V	3.60	17.00	7.99	
12	10R	V	1.40	17.00	8.01	
13	20R	5D	0.40	17.00	7.18	
14	10R	5D	0.80	17.00	7.96	
15	H	5D	2.80	17.00	7.97	
16	10L	5D	0.80	17.00	7.50	
17	20L	5D	0.40	17.00	6.65	
18	5L	10D	0.80	17.00	7.52	
19	5R	10D	0.80	17.00	7.66	
20	All directions defined by Annex 1		0.05	17.00	Min. 0.66	Max. 8.38

2.2.2.2. Sample No. 2, intensity of light emitted (LED) after 1 minute
 -by calculation

The luminous intensity distribution after 1 minute of operation complies with the minimum and maximum requirements.

2.2.3. Stop lamp, sample No. 1, test voltage 13.499V, at HV after 1 minute of operation.

No.	Point of the measurement		Limits [cd]		Measured values [cd]
			Minimum	Maximum	
1	H	V	60.00	260.00	82.18

2.2.3.1. Sample No. 1, test voltage 13.499V, after 30 minutes of operation.

No.	Point of the measurement		Limits [cd]		Measured values [cd]	
			Minimum	Maximum		
1	5L	10U	12.00	260.00	31.51	
2	5R	10U	12.00	260.00	42.40	
3	20R	5U	6.00	260.00	11.17	
4	10R	5U	12.00	260.00	40.82	
5	H	5U	42.00	260.00	68.72	
6	10L	5U	12.00	260.00	24.41	
7	20L	5U	6.00	260.00	9.81	
8	10L	V	21.00	260.00	24.78	
9	5L	V	54.00	260.00	62.78	
10	H	V	60.00	260.00	79.41	
11	5R	V	54.00	260.00	69.39	
12	10R	V	21.00	260.00	40.15	
13	20R	5D	6.00	260.00	10.37	
14	10R	5D	12.00	260.00	28.28	
15	H	5D	42.00	260.00	49.30	
16	10L	5D	12.00	260.00	20.51	
17	20L	5D	6.00	260.00	9.74	
18	5L	10D	12.00	260.00	20.66	
19	5R	10D	12.00	260.00	23.00	
20	All directions defined by Annex 1		0.30	260.00	Min. 0.69	Max. 81.61

2.2.3.2. Sample No. 1, intensity of light emitted (LED) after 1 minute

-by calculation

The luminous intensity distribution after 1 minute of operation complies with the minimum and maximum requirements.

2.2.4. Stop lamp, sample No. 2, test voltage 27.999V, at HV after 1 minute of operation.

No.	Point of the measurement		Limits [cd]		Measured values [cd]
			Minimum	Maximum	
1	H	V	60.00	260.00	88.97

2.2.4.1. Sample No. 2, test voltage 27.999V, after 30 minutes of operation.

No.	Point of the measurement		Limits [cd]		Measured values [cd]	
			Minimum	Maximum		
1	5L	10U	12.00	260.00	42.42	
2	5R	10U	12.00	260.00	45.57	
3	20R	5U	6.00	260.00	11.53	
4	10R	5U	12.00	260.00	38.53	
5	H	5U	42.00	260.00	87.15	
6	10L	5U	12.00	260.00	35.07	
7	20L	5U	6.00	260.00	12.61	
8	10L	V	21.00	260.00	35.23	
9	5L	V	54.00	260.00	63.52	
10	H	V	60.00	260.00	86.60	
11	5R	V	54.00	260.00	73.20	
12	10R	V	21.00	260.00	37.09	
13	20R	5D	6.00	260.00	9.88	
14	10R	5D	12.00	260.00	27.14	
15	H	5D	42.00	260.00	50.06	
16	10L	5D	12.00	260.00	26.13	
17	20L	5D	6.00	260.00	10.89	
18	5L	10D	12.00	260.00	24.12	
19	5R	10D	12.00	260.00	25.36	
20	All directions defined by Annex 1		0.30	260.00	Min. 0.42	Max. 89.50

2.2.4.2. Sample No. 2, intensity of light emitted (LED) after 1 minute

-by calculation

The luminous intensity distribution after 1 minute of operation complies with the minimum and maximum requirements.

2.3. Colour

2.3.1. Rear position lamp - Red

Sample	Measured values		Limits	
	x	y	$y \leq 0.335$	$y \geq 0.980-x$
No. 1	0.6683	0.3240	Yes	Yes
No. 2	0.6657	0.3231	Yes	Yes

2.3.2. Stop lamp - Red

Sample	Measured values		Limits	
	x	y	$y \leq 0.335$	$y \geq 0.980-x$
No. 1	0.6966	0.3008	Yes	Yes
No. 2	0.6932	0.3021	Yes	Yes

2.4. Apparent surface

2.4.1. Rear position lamp

Upper boundary "U"(mm)	Down boundary "D"(mm)	Inner boundary "I"(mm)	Outer boundary "O"(mm)
22	22	28.5	28.5

2.4.1. Stop lamp

Upper boundary "U"(mm)	Down boundary "D"(mm)	Inner boundary "I"(mm)	Outer boundary "O"(mm)
22	22	19	19

3. Specimen submitted to test on: 19.06.2015 (DD.MM.YYYY)

4. Place of test: Jiangsu Huacheng Vehicle Inspection Co.,
 Ltd., Zhenjiang City, P.R. China

Date of test: 24.06.2015 (DD.MM.YYYY)





Technical Report No.: 15-00440-CX-SHA-00
 Manufacturer: Zhejiang Dahao Automotive Co., Ltd.
 Type: DF-TRS004

III. Enclosures

Manufacturer's information docu-

ment No.: DF-TRS004-00

Dated on: 19.06.2015 (DD.MM.YYYY)

IV. Statement of conformity

The information folder as mentioned under No. III and the type described therein are in compliance with the test specification mentioned above. The worst-case was selected in accordance with document "Preparation of Test Reports".

The test report may be reproduced and published in full and by the client only. It can be reproduced partially with the written permission of the test laboratory only.

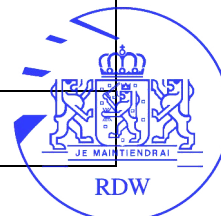
München, 01.07.2015
 (DD.MM.YYYY)



Gu, Qing

Test Laboratory / DIN EN ISO 17025

Genehmigungsbehörde / Approval authority	Land/Country	Registriernummer/ Registration-number	Aktueller Benennungsumfang/ Actual scope list
Kraftfahrt-Bundesamt (KBA)	Deutschland/ Germany	KBA-P 00100-10	www.kba.de
Vehicle Certification Agency (VCA)	Vereintes Königreich/ United Kingdom	VCA-TS-006	http://ec.europa.eu/enterprise/sectors/automotive/approval-authorities-technical-services/technical-services/index_en.htm
Approval Authority of the Netherlands (RDW)	Niederlande/ The Netherlands	RDWT-082-01	
National Standards Authority of Ireland (NSAI)	Irland/ Ireland	Technical Service Number: 49	
Vehicle Safety Certification Center (VSCC)	Taiwan/ Taiwan	DE04-06-2	http://www.vsc.org.tw/English/Default.aspx



Zhejiang Dahao Automotive Co., Ltd.
Xiaotian Village, Duqiao Town, Linhai City,
Taizhou City, Zhejiang Province, P.R. China 317000

June 19, 2015

Dear Sirs,

We would like to apply for the type approval according to ECE.

Function	ECE approval number
License plate lamp	E4-4R-0024273
Rear direction indicator lamp	E4-6R-0124273
Stop lamp	E4-7R-0224273
Rear position lamp	E4-7R-0224273

Trade name or mark	:	
Manufacturer's name for type of device	:	DF-TRS004
Name and address of manufacturer	:	Zhejiang Dahao Automotive Co., Ltd. Xiaotian Village, Duqiao Town, Linhai City, Taizhou City, Zhejiang Province, P.R. China 317000

We confirm that the above mentioned application has not been submitted to any other EC member state nor has any other member state granted a corresponding approval.

Sincerely




Mr. Wang Ping
Zhejiang Dahao Automotive Co., Ltd.



Information folder No. : DF-TRS004-00

First application date : June 19, 2015

1. Specification data

Type		DF-TRS004			
Function		Rear group lamp			
		License plate lamp	Rear direction indicator lamp	Stop lamp	Rear position lamp
Color		Colorless	Amber	Red	Red
Rated	Voltage	12V/ 24V	12V/ 24V	12V/ 24V	12V/ 24V
	Wattage	2.25W	1W	1W	0.55W
Application Regulation ECE		R4.00 L	R6.01 Cat. 2a	R7.02 Cat. S1	R7.02 Cat. R1
Location of marking	Number and category of light source	4*LED	6*LED	6*LED	9*LED
		Non-replaceable light source			
	Marked on housing				
	Trade mark				
	Marked on lens				
Approval mark		Marked on lens			

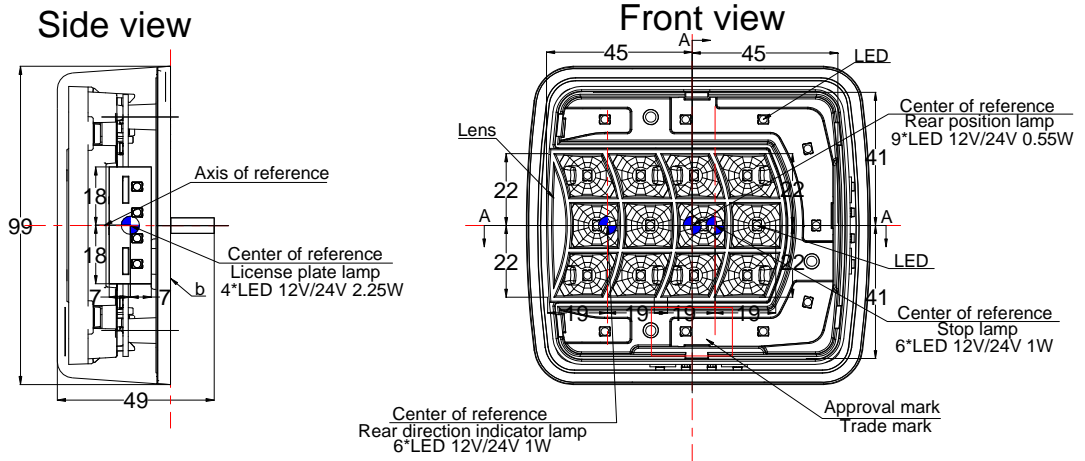
2. Construction and material

Construction	Material	Remarks
Outside Lens	PMMA	License plate lamp: Clear Rear direction indicator lamp: Clear Rear position lamp and Stop lamp: Clear
Inner Lens	PC	Rear position lamp: Red
Reflector	ABS	Painting on the inside surface Color: Metal silver
Housing	ABS	--
Electrical Wiring	Copper covered with insulation	--

3. Name and address of manufacturer : Zhejiang Dahao Automotive Co., Ltd.
Xiaotian Village, Duqiao Town, Linhai City,
Taizhou City, Zhejiang Province, P.R. China 317000

4. Name and address of the manufacturer's representative : N/A

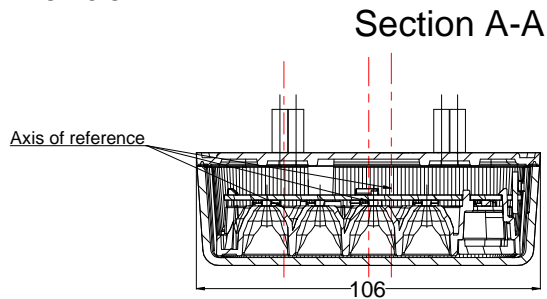




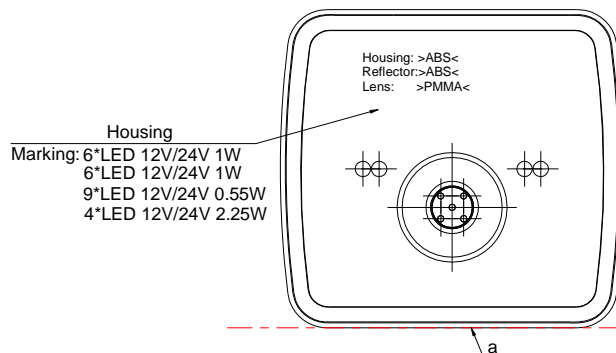
NOTE:

1. "a": Horizontal Plane of Vehicle
2. "b": Longitudinal Plane of Vehicle

Approval mark



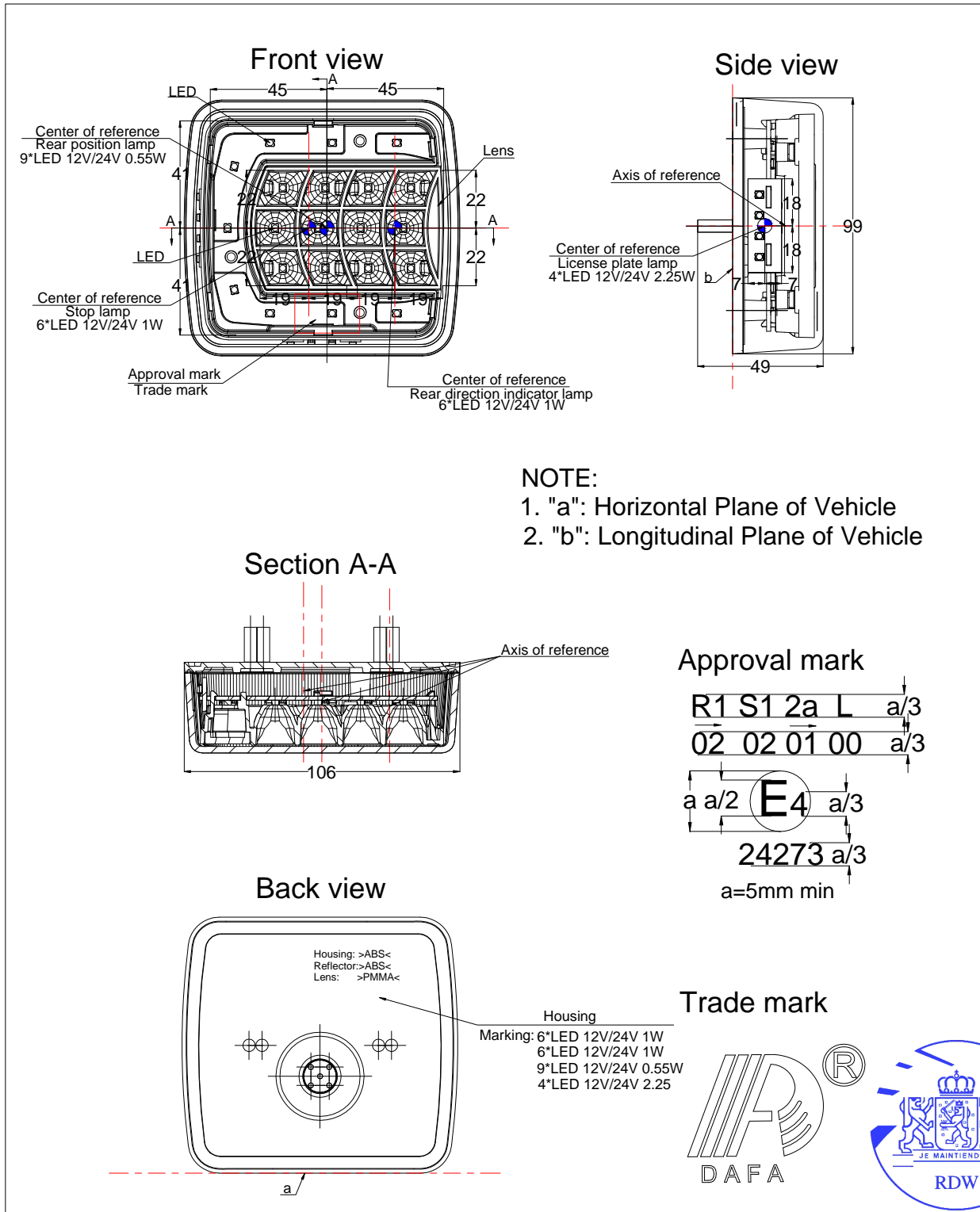
Back view



Trade mark

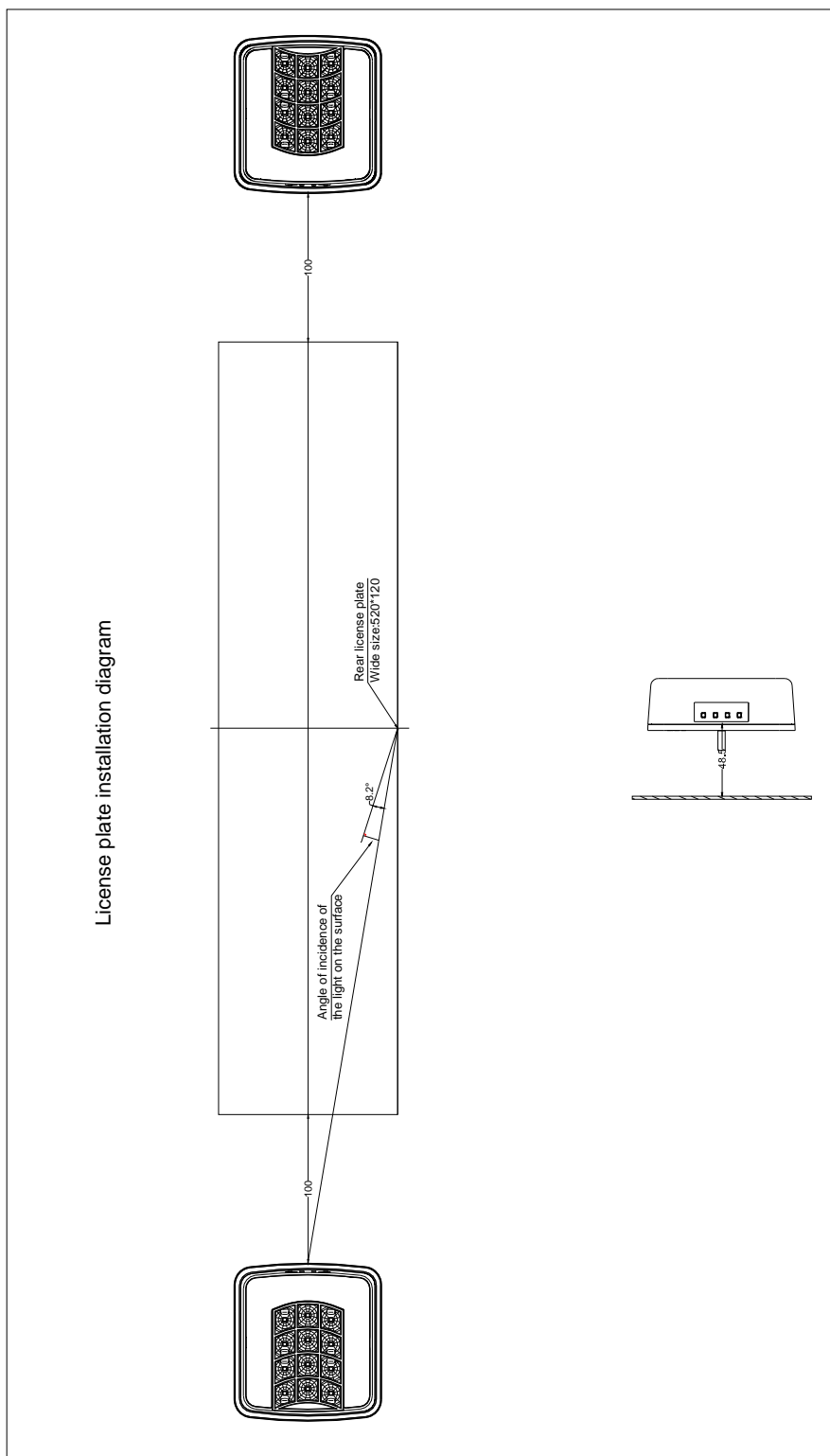


Product Type	DF-TRS004
General assembly drawing (Left side)	
Drawing No.	DF-TRS004-01



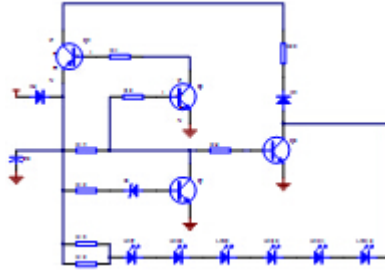
NOTE:
 1. "a": Horizontal Plane of Vehicle
 2. "b": Longitudinal Plane of Vehicle

Product Type	DF-TRS004
General assembly drawing (Right side)	
Drawing No.	DF-TRS004-02

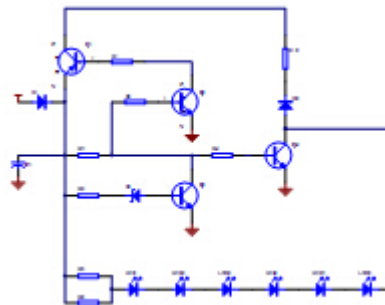


Product Type	DF-TRS004
Installation diagram	
Drawing No.	DF-TRS004-03

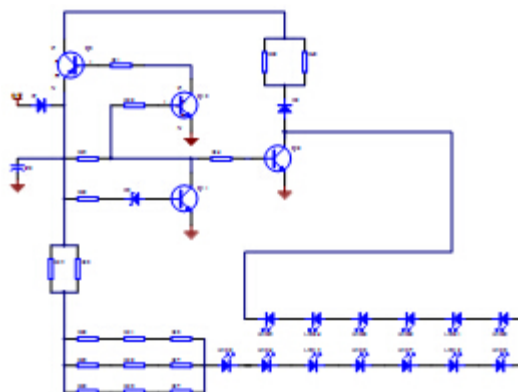
Rear direction indicator lamp
 6*LED 12/24V 1W



Stop lamp
 6*LED 12/24V 1W



Rear position lamp
 9*LED 12/24V 0.55W
 License plate lamp
 4*LED 12/24V 2.25W



Product Type	DF-TRS004
Led circuit diagram	
Drawing No.	DF-TRS004-04