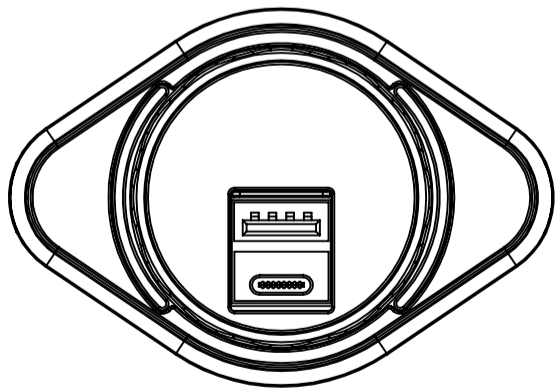
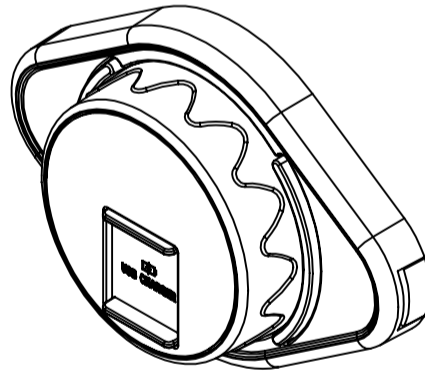
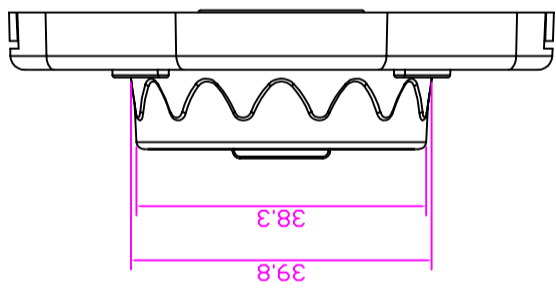
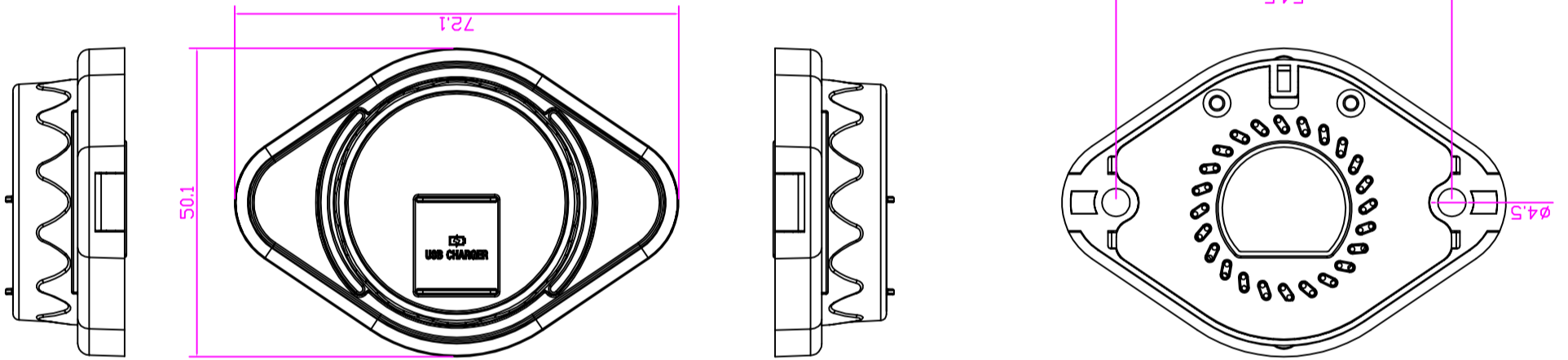
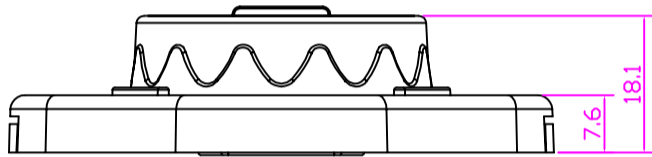




| IDEALCHARGE | NAME | DATE | DRAWING TITLE | CLASS | DNY |
|-------------|------|------|------------------------------|-------------|-------|
| Drawn | | | SPECIFICATION OF USB CHARGER | SCALE | X:1 |
| Checked | | | | Unit | MM |
| Approved | | | | DRAWING NO. | SHEET |



Technical specifications:
 Output voltage:
 USB: 5V/3A, 9V/2A, 12V/1.5A(Max)
 Type-C: 5V/3A, 9V/3A, 12V/2.5A (Max)
 Interface: PD+QC3.0
 Output power: PD(30W)+ QC3.0 (18W)
 Dimensions: 72.1*50.1*19.3mm