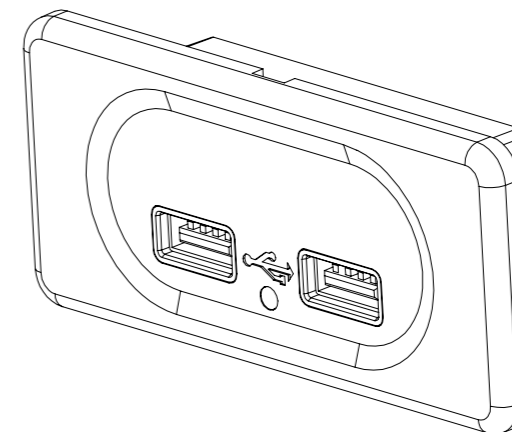
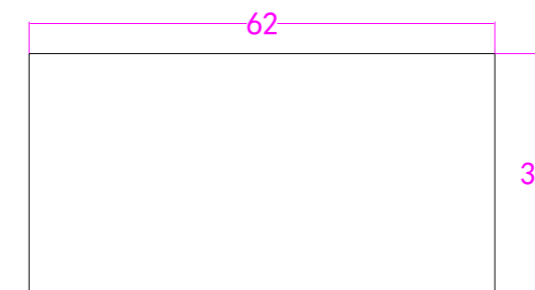
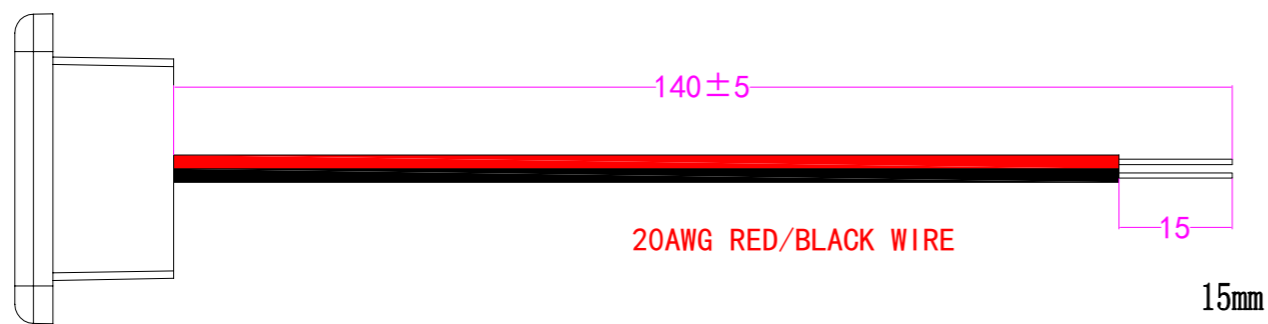


Technical specifications:
 Output voltage:
 USB1+USB2: 5V 3.1A (1A + 2.1A)
 Interface: USB+USB
 Output power: total 15.5W
 Dimensions: 89*41*21mm



Charger assembly



62*32mm