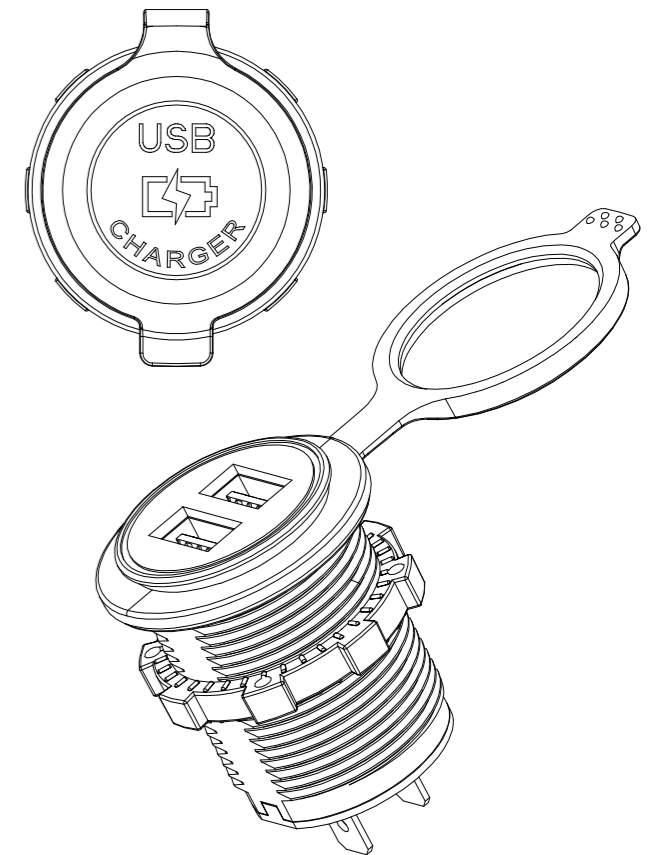
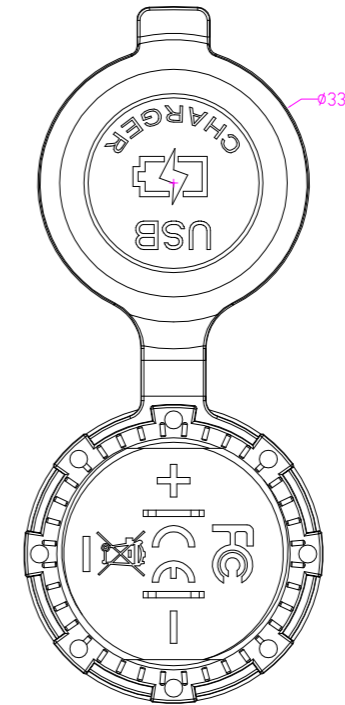
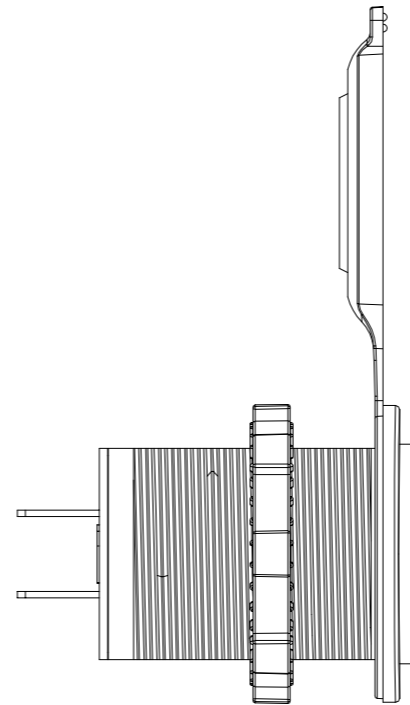
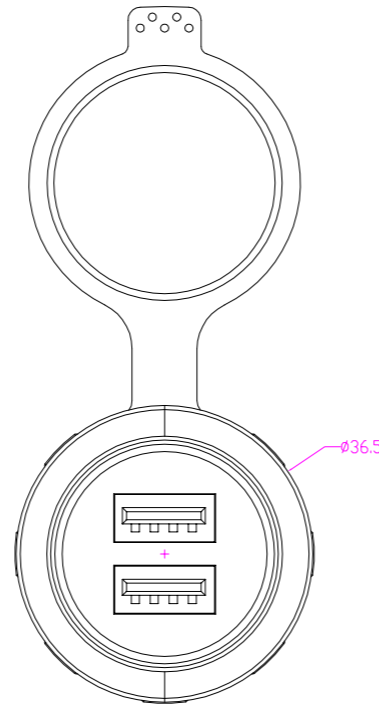
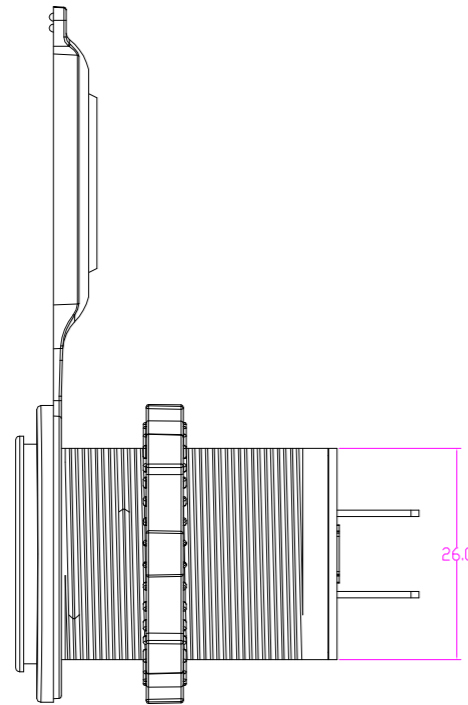
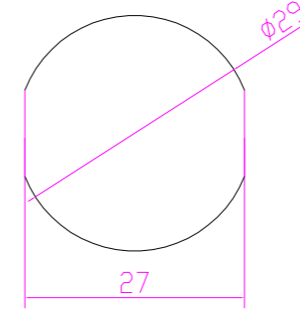
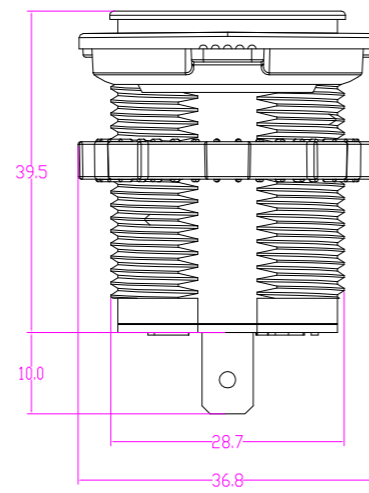


Mounting hole size: $\varnothing 29 \times 27\text{mm}$



Technical specifications:
Output voltage:
USB1+USB2: 5V 3.1A (1A + 2.1A)
Interface: USB+USB
Output power: total 15.5W

