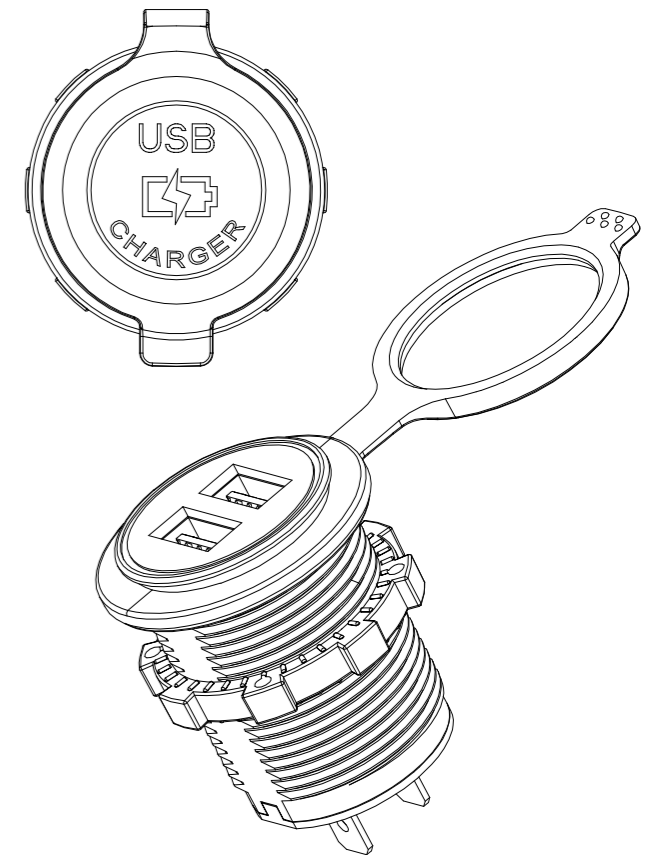
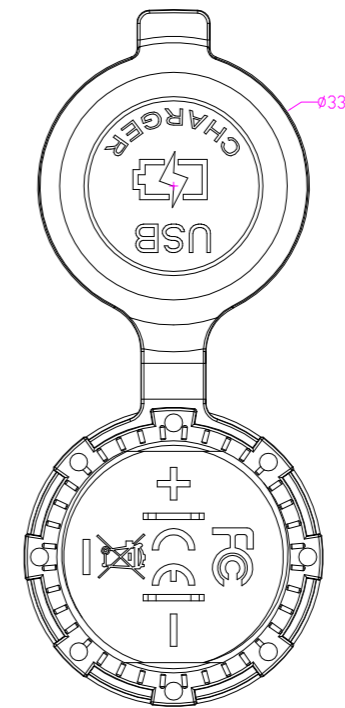
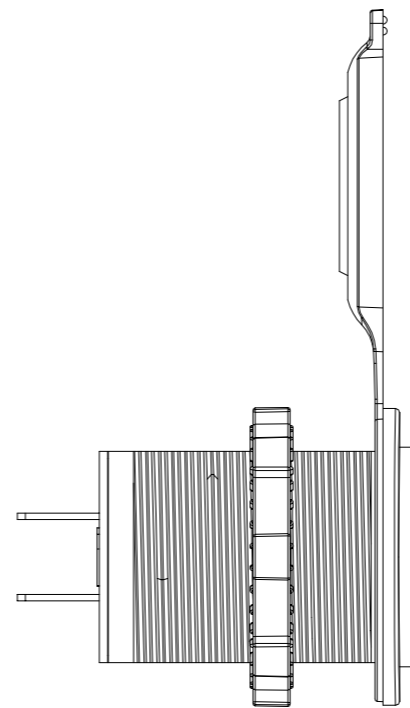
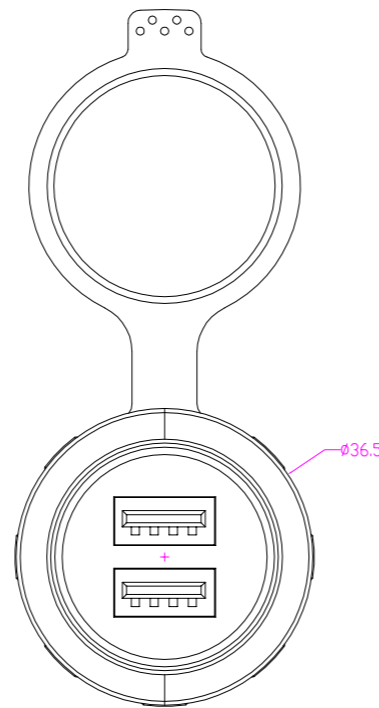
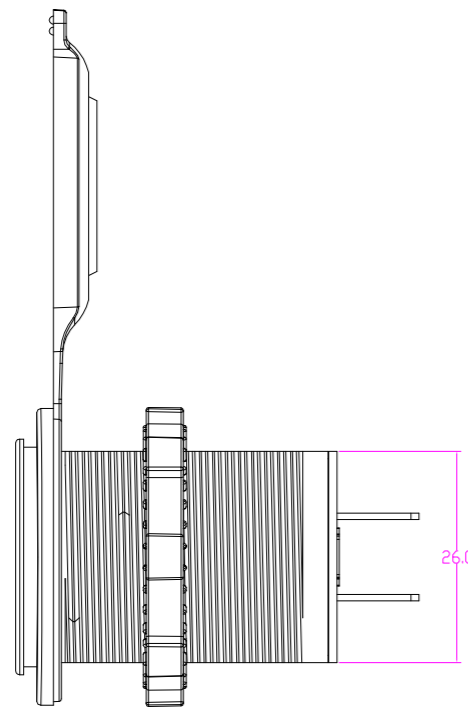
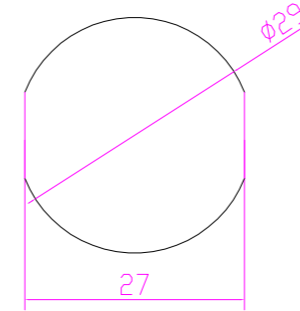
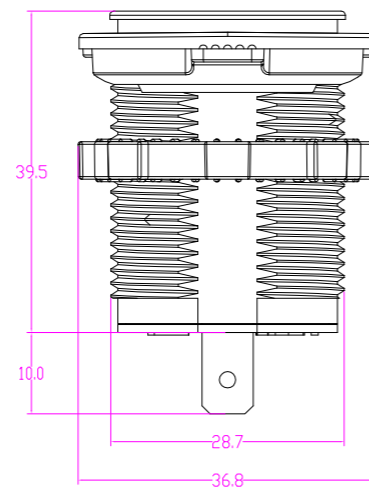


Mounting hole size: $\varnothing 29 \times 27\text{mm}$



Technical specifications:

Output voltage:

USB1+USB2: 5V 4.8A (2.4A + 2.4A)

Interface: USB+USB

Output power: total 24W

