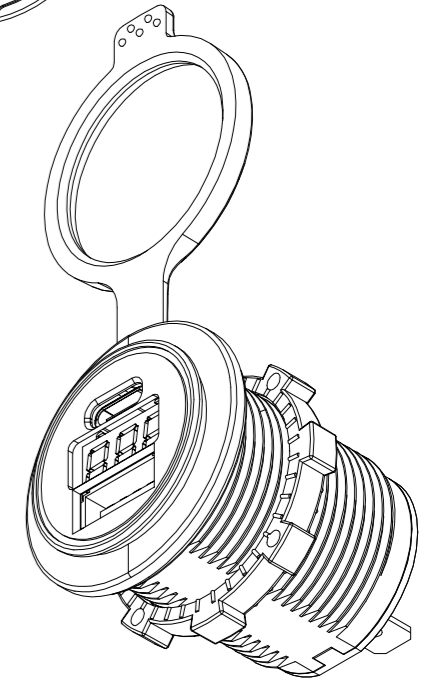
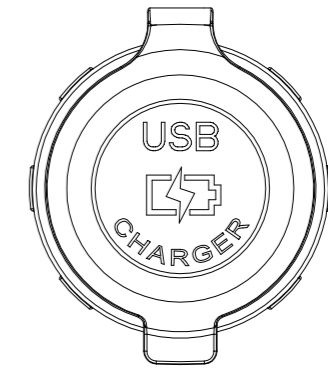
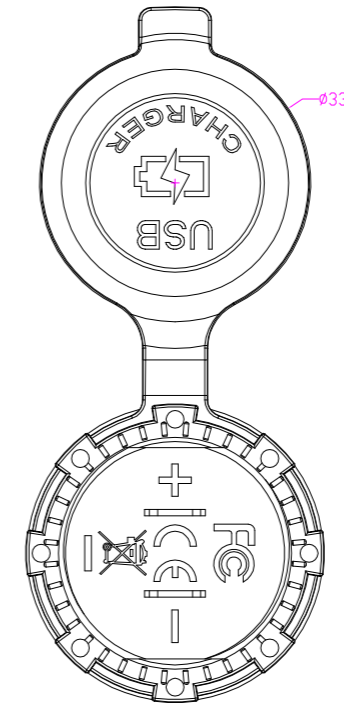
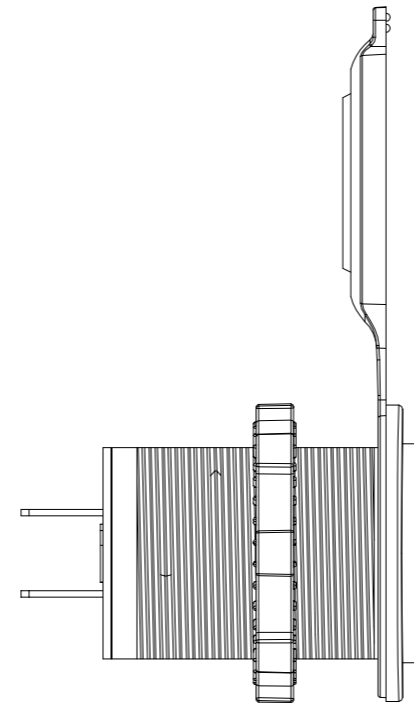
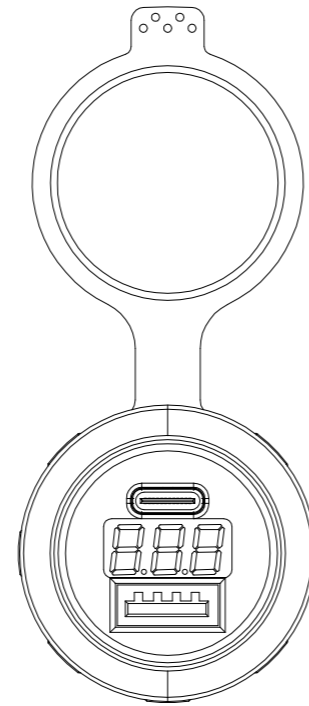
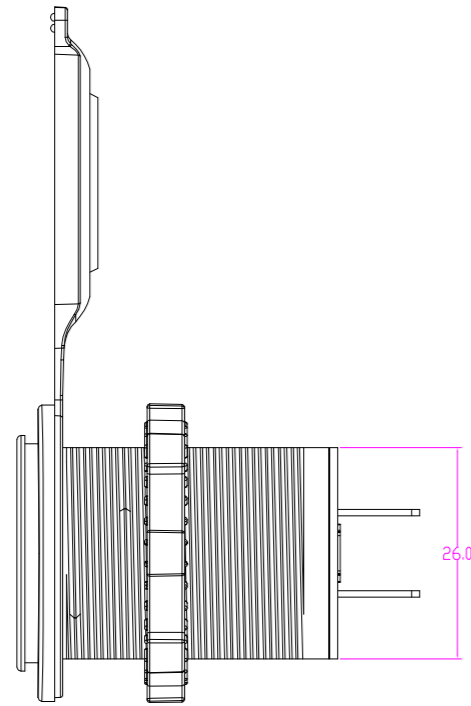
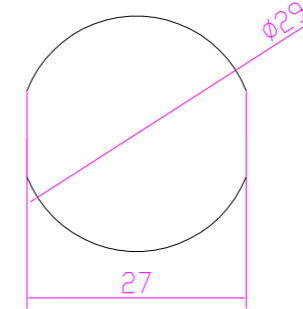
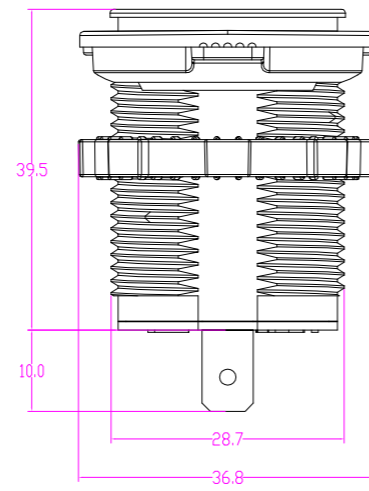


Mounting hole size: $\varnothing 29 \times 27\text{mm}$



Technical specifications:

Output voltage:

USB: 5V/3A, 9V/2A, 12V/1.5A(Max)

Type-C: 5V/3A, 9V/3A, 12V/2.5A (Max)

Interface: PD+QC3.0

Output power: PD(30W)+ QC3.0 (18W)

Dimensions: 36.5*36.5*42.2mm

