



Repubblica di San Marino
Autorità per l'Omologazione
Republic of San Marino
Authority for Homologation

Via Consiglio dei Sessanta, 99
47891 Dogana - Repubblica di San Marino

Comunicazione
Communication

	Concernente ^{2/} Concerning ^{2/}	Il rilascio dell'omologazione <i>Approval granted</i> L'estensione dell'omologazione <i>Approval extended</i> Il rifiuto dell'omologazione <i>Approval refused</i> La revoca dell'omologazione <i>Approval withdrawn</i> La cessazione definitiva della produzione <i>Production definitively discontinued</i>
--	---	--

Of a type of electrical/electronic sub-assembly⁽²⁾ with regard to Regulation No. 10.

Omologazione N. <i>Approval No.</i>	E57*10R06/01*0236	Estensione N. <i>Extension No.</i>	00
---	--------------------------	--	-----------

Marchio di omologazione <i>Approval mark</i>	LIBERTAS <i>See Information Document No. B7 series -00</i>
--	--

1. Make (trade name of manufacturer):



2. Type and general commercial description(s):

Type: B7 series
Commercial Description: Beacon

3. Means of identification of type, if marked on the vehicle/component/separate technical unit⁽²⁾:



Approval mark

3.1 Location of that marking:

Stuck on the enclosure, See Drawings of the ESA

4. Category of vehicle:

L, M, N, O, and T

5. Name and address of manufacturer: **Guangzhou Hobart Lights Limited**
No. 1 Chuangjia Road, Baiyun District, Guangzhou City,
Guangdong Province, People's Republic of China, 510000
6. In the case of components and separate technical units, location and method of affixing of the approval mark: Stuck on the enclosure, See Drawings of the ESA.
7. Address(es) of assembly plant(s): **Guangzhou Hobart Lights Limited**
No. 1 Chuangjia Road, Baiyun District, Guangzhou City,
Guangdong Province, People's Republic of China, 510000
8. Additional information (where applicable): See appendix below
9. Technical Service responsible for carrying out the tests: **AUTOMOTIVE TECHNICAL SERVICE S.r.l.**
Via Consiglio dei Sessanta, 99
47891 – DOGANA Repubblica di San Marino
10. Date of test report: 07.05.2022
11. No. of test report: ATS-SM-IR-10-04238
12. Remarks (if any): See appendix below
13. Place: Dogana – Repubblica di San Marino
14. Date: 24.06.2022
15. Signature: 

Ing. Marco CONTI
Direttore Generale
General Director
16. The index to the information package lodged with the Approval Authority, which may be obtained on request, is attached.
17. Reasons for extension:

(2) *Strike out what does not apply.*

**Appendix to type-approval communication form No. E57*10R06/01*0236*00
concerning the type-approval of an ~~electrical~~/electronic sub-assembly
under Regulation No. 10**

1. Additional information:

- 1.1. Electrical system rated voltage: DC 12/24V. ~~pos~~/neg ground⁽²⁾
- 1.2. This ESA can be used on any vehicle type with the following restrictions: L, M, N, O, T
- 1.2.1. Installation conditions, if any: See Information Document No. B7 series -00
- 1.3. This ESA can be used only on the following vehicle type:
- 1.3.1. Installation conditions, if any: See Information Document No. B7 series -00
- 1.4. The specific test method(s) used and the frequency ranges covered to determine immunity were: (Please specify precise method used from Annex 9): See Information Document No. B7 series -00
- 1.5. Laboratory accredited to ISO 17025 and recognised by the Approval Authority responsible for carrying out the tests: Guangzhou Shuntai Quality Technical Service Co, Ltd.

2. Remarks: None

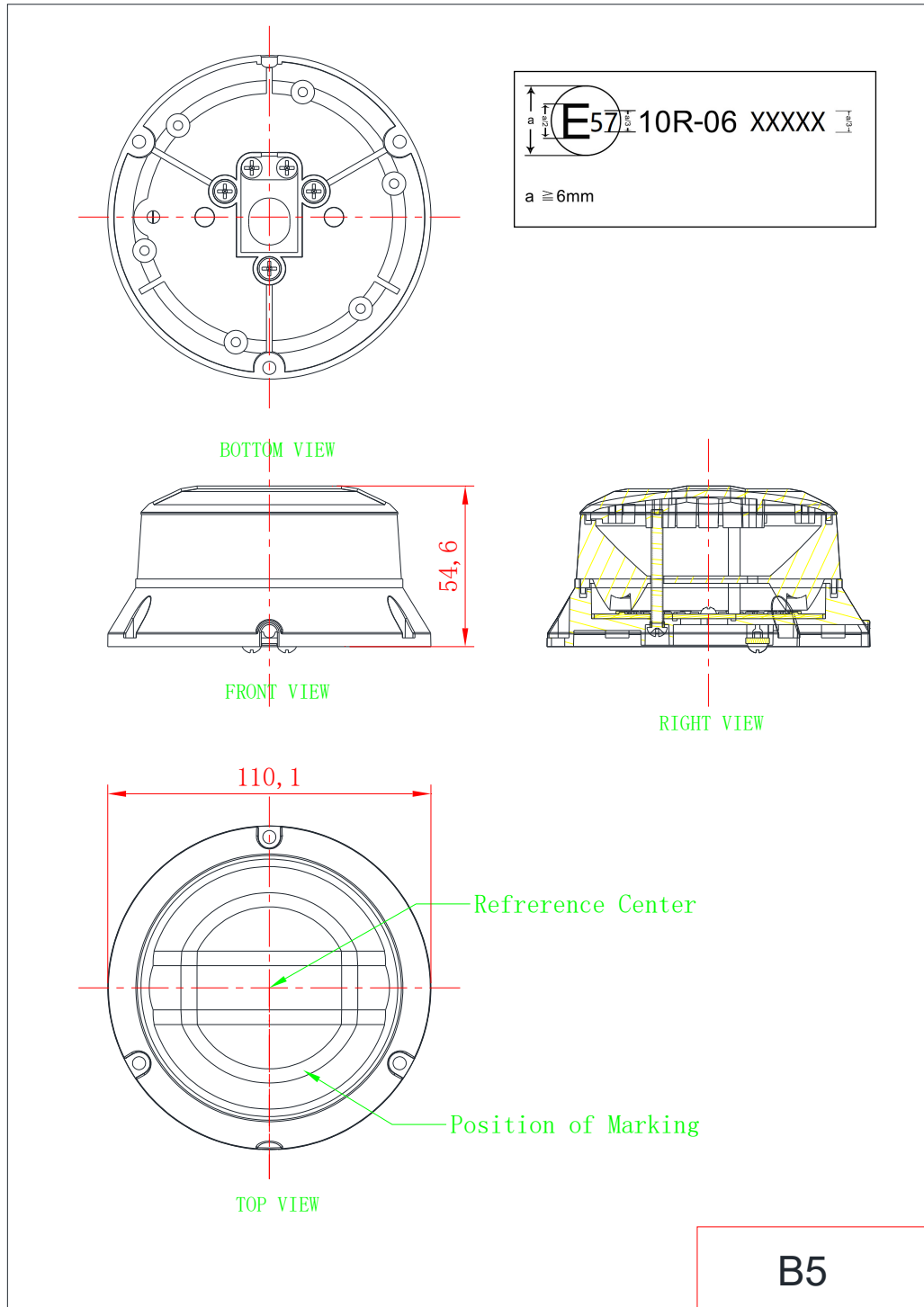
(2) *Strike out what does not apply.*

LIBERTAS
REPUBBLICA
DI SAN MARINO

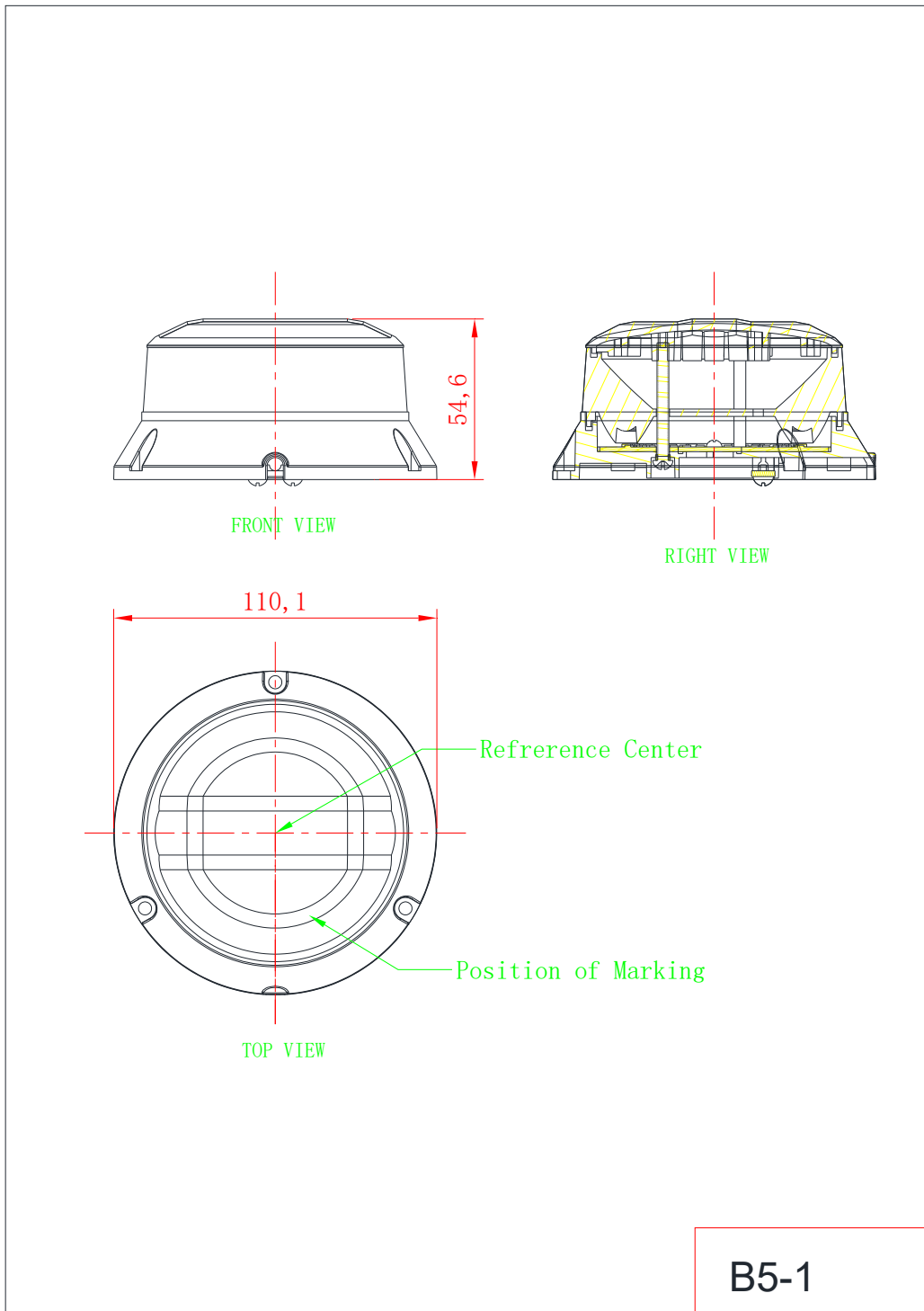
Information folder No. : B7 series -00
Manufacturer : Guangzhou Hobart Lights Limited.
Regulation : R10.06 to Supplement 1

Drawings of the ESA

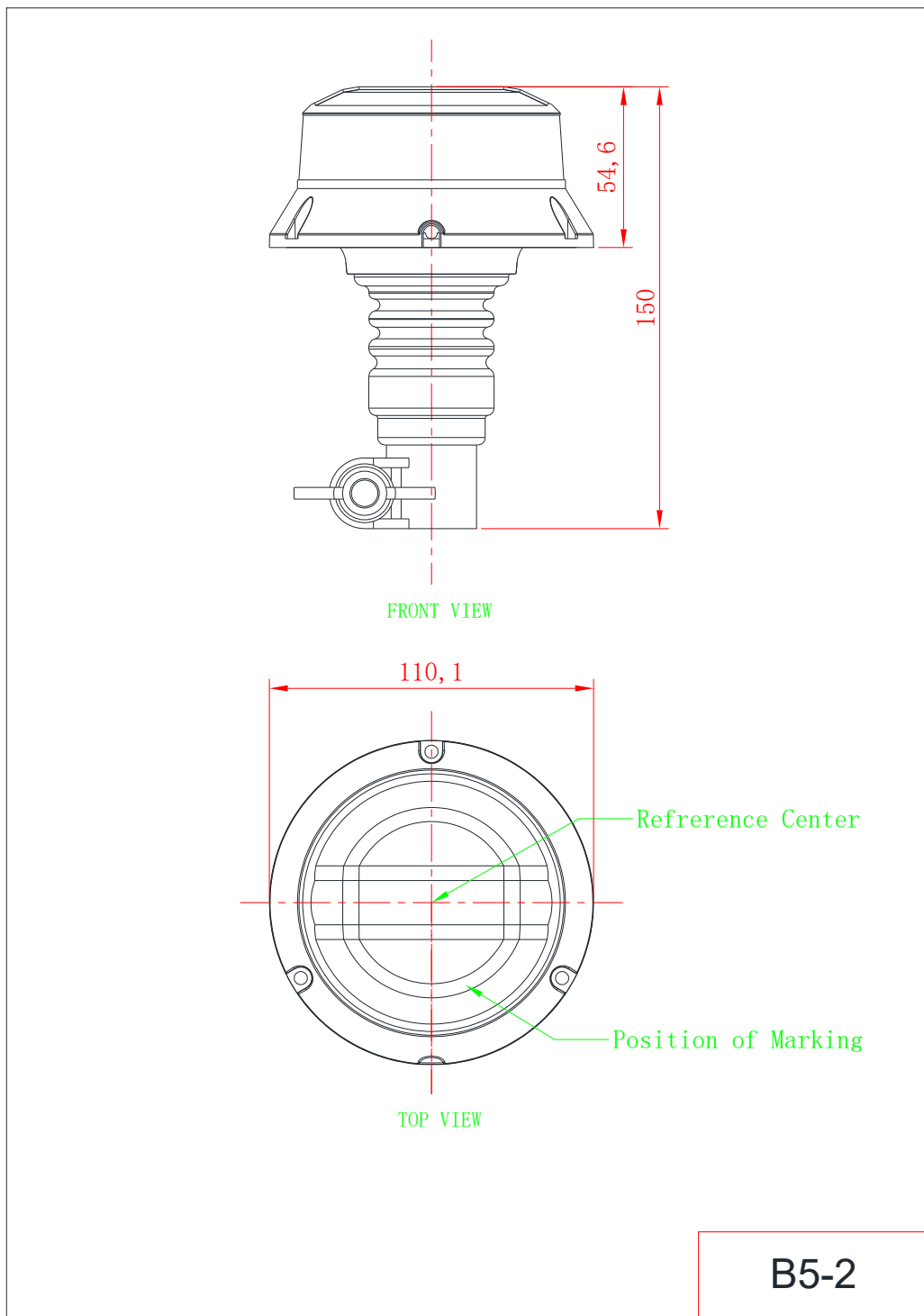
Location of the ECE approval mark



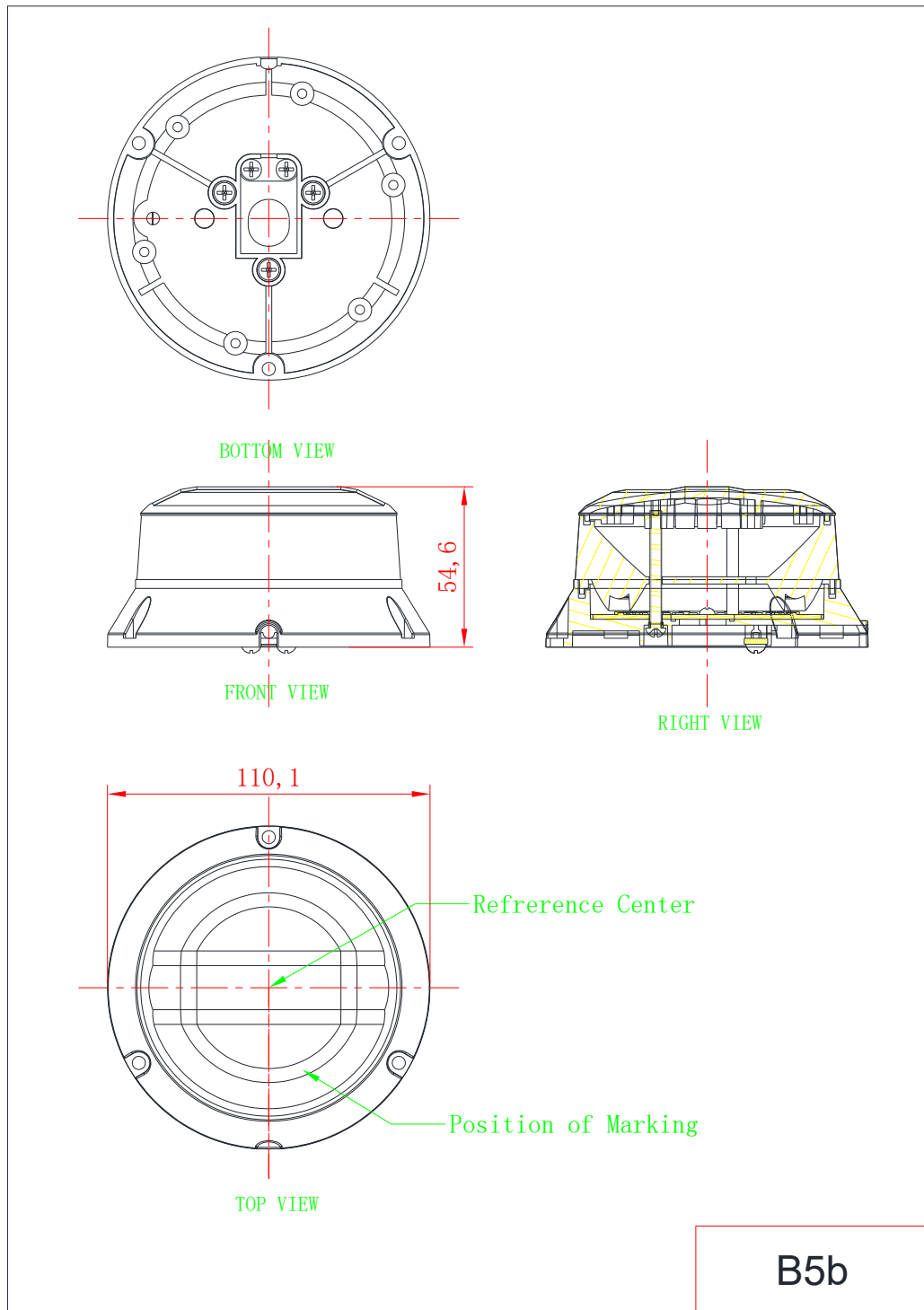
Information folder No. : B7 series -00
Manufacturer : Guangzhou Hobart Lights Limited.
Regulation : R10.06 to Supplement 1



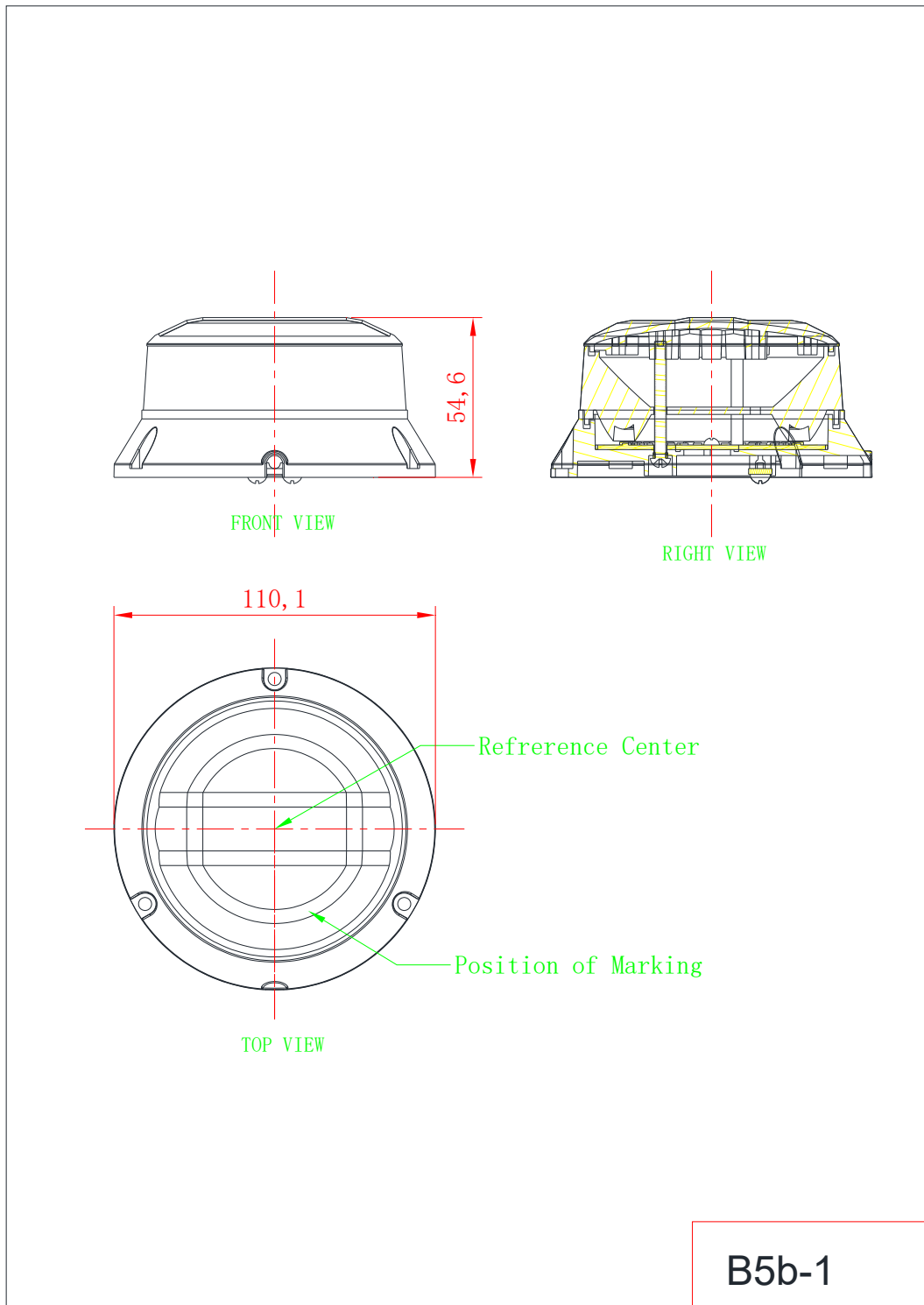
Information folder No. : B7 series -00
Manufacturer : Guangzhou Hobart Lights Limited.
Regulation : R10.06 to Supplement 1



Information folder No. : B7 series -00
Manufacturer : Guangzhou Hobart Lights Limited.
Regulation : R10.06 to Supplement 1



Information folder No. : B7 series -00
Manufacturer : Guangzhou Hobart Lights Limited.
Regulation : R10.06 to Supplement 1



Information folder No. : B7 series -00
Manufacturer : Guangzhou Hobart Lights Limited.
Regulation : R10.06 to Supplement 1

